

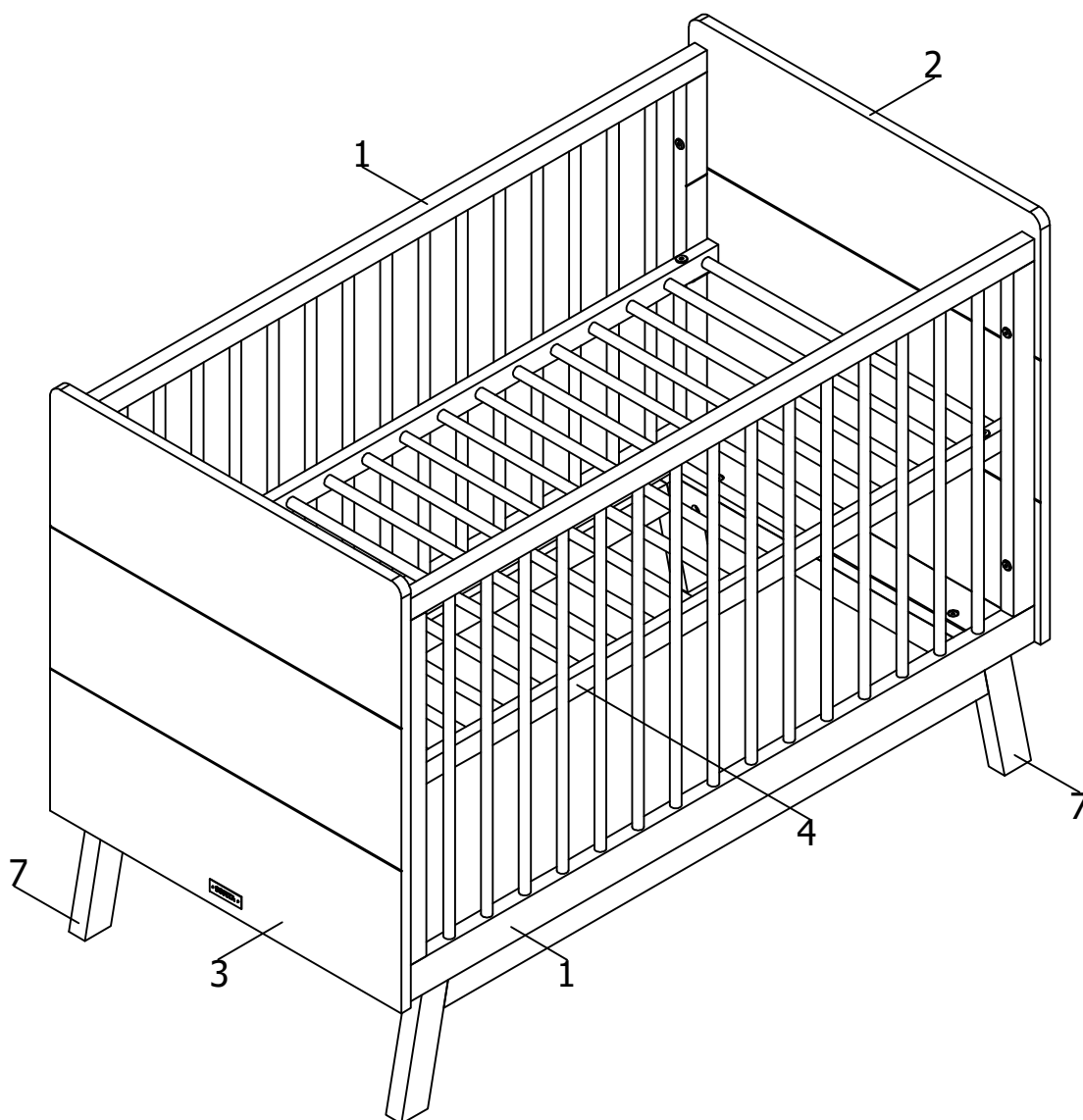
bopita®

ASSEMBLY INSTRUCTION
MONTAGE HANDLEIDING
MONTAGE ANLEITUNG
NOTICE DE MONTAGE
MANUAL DE MONTAJE

UK
NL
D
F
ESP

MODEL
TYPE
COLOUR
ART. CODE

:LINES
:BED 60X120
:DUNE/NATURAL
:114190.59








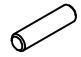



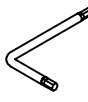
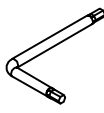
Distributor:

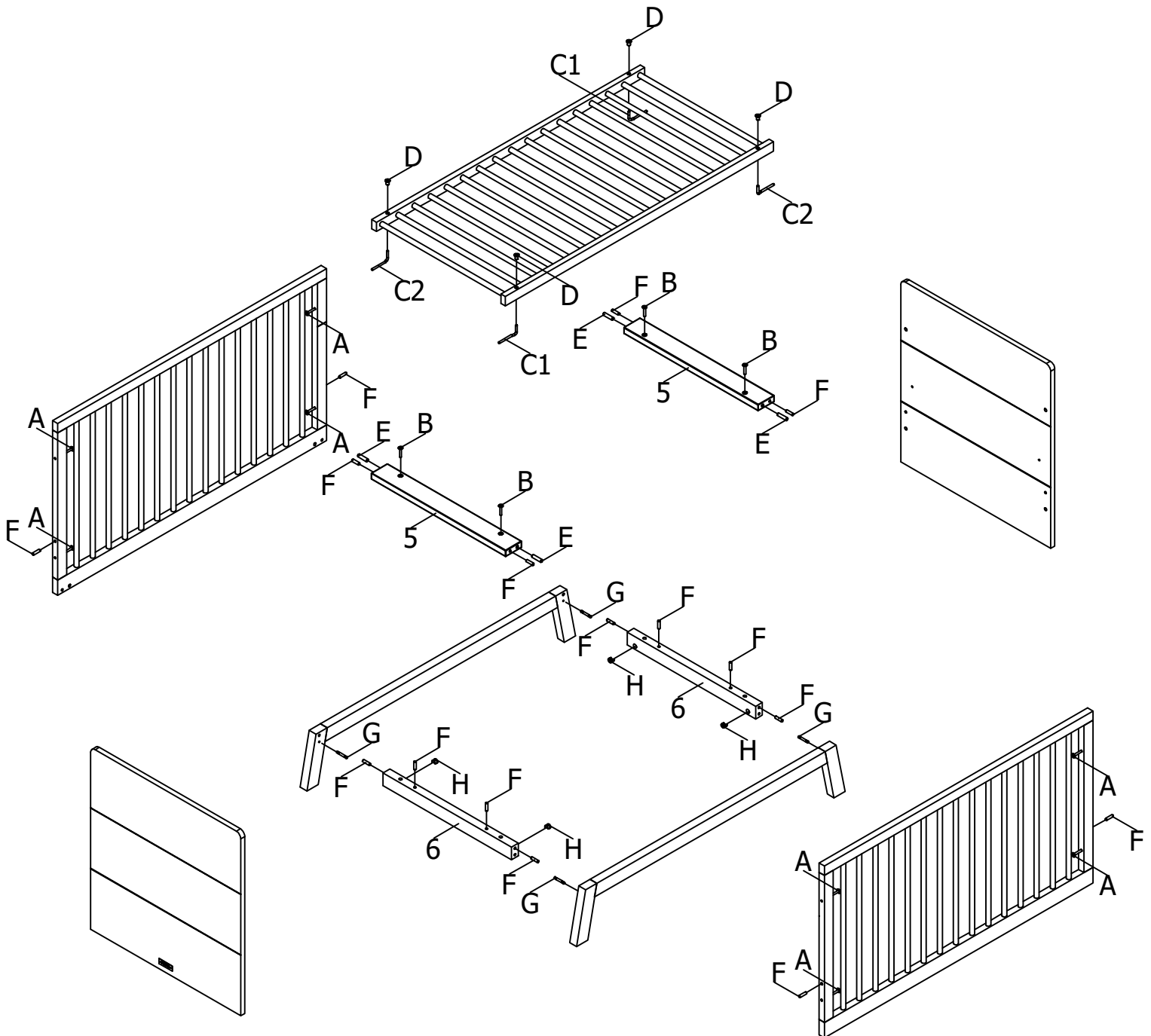
BOPITA
Energieweg 1
6662 NS Elst
The Netherlands

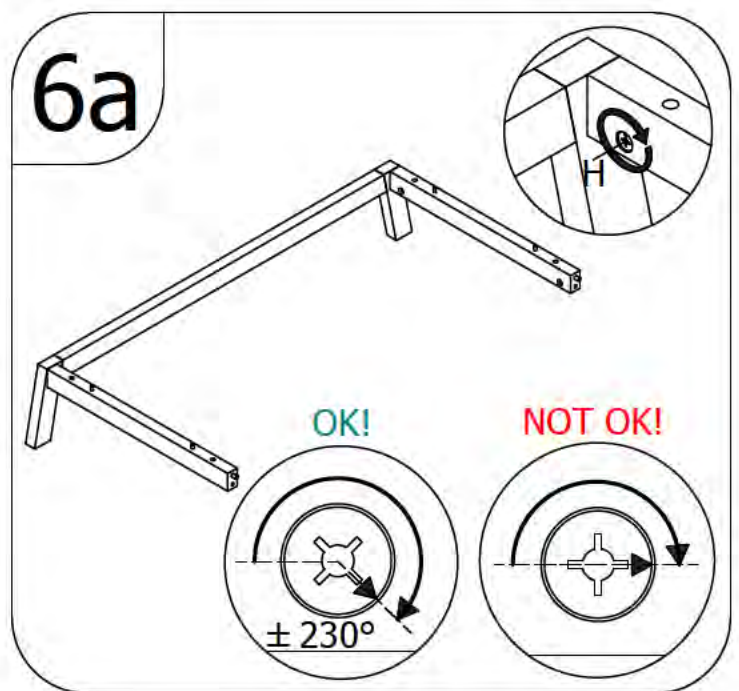
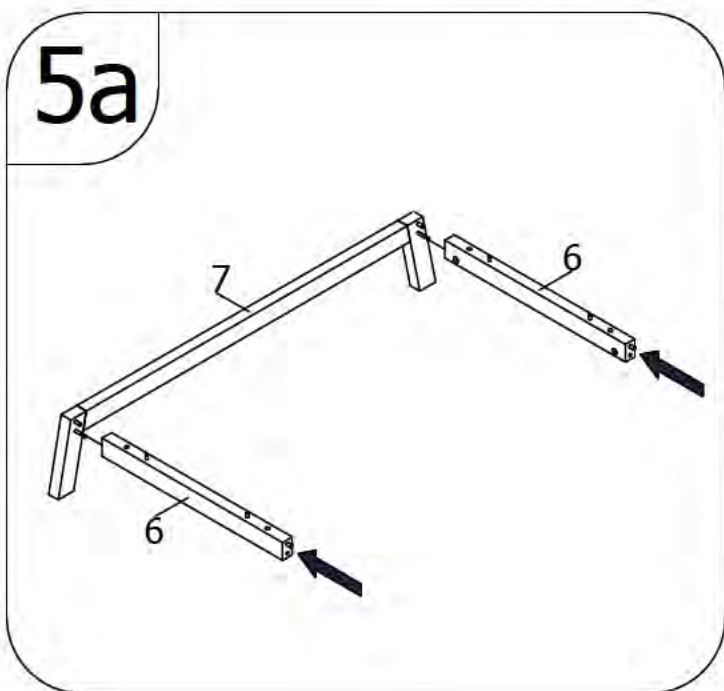
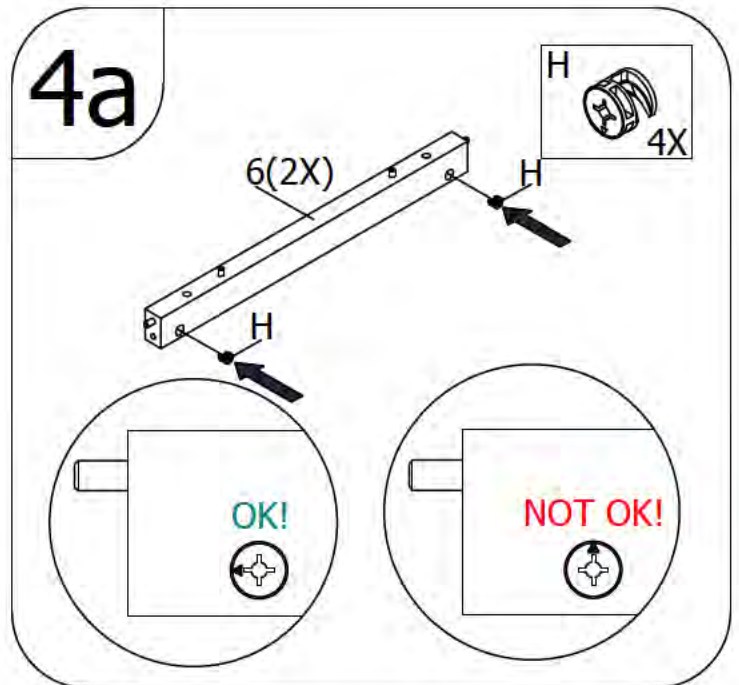
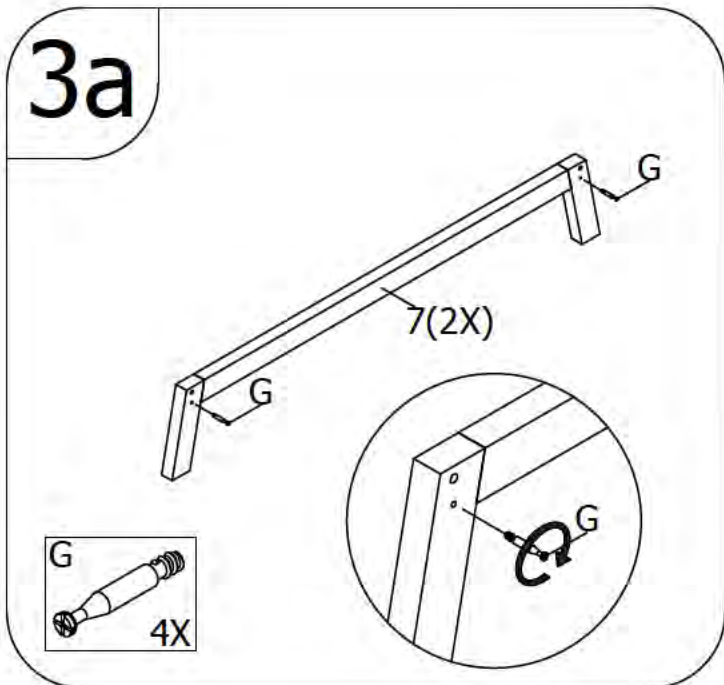
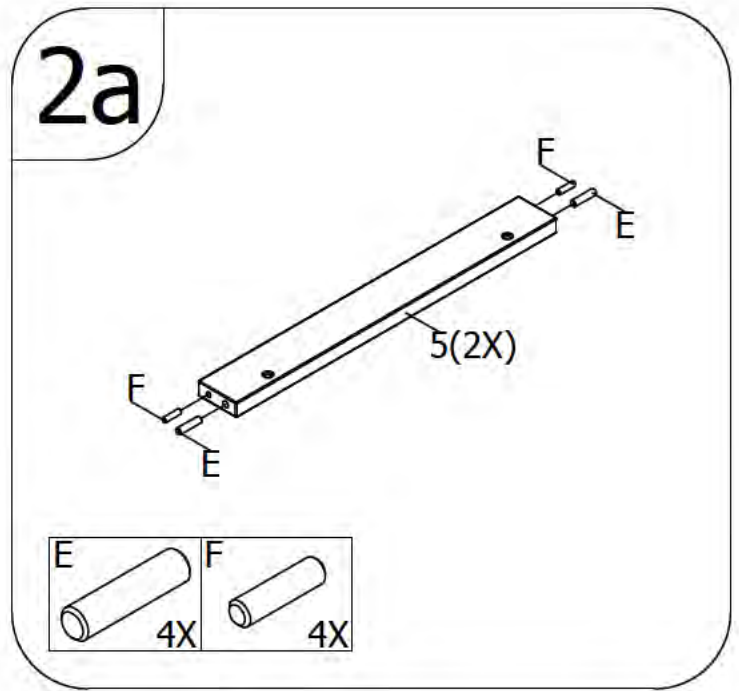
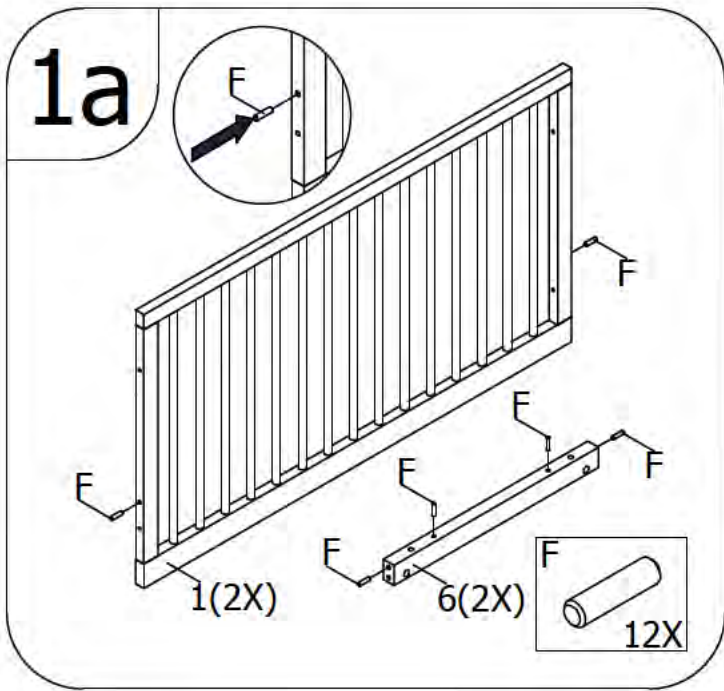
www.bopita.com



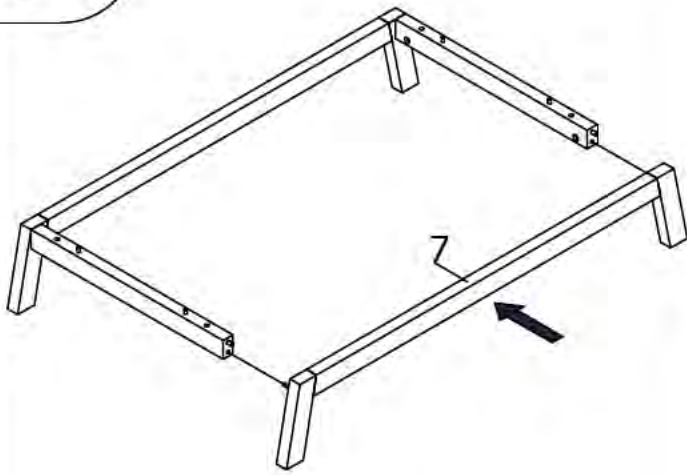
15.06.2023.

A	B	C1	C2	D	E
					
M6X50	8X	M6X35	4X	M6	4X
F	G	H	I	J	
					
Ø8X30	16X		4X	SW4	1X
				SW5	1X

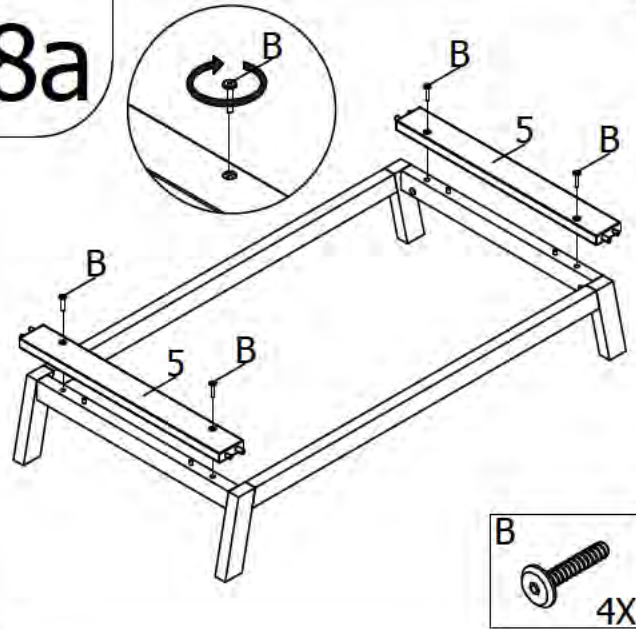




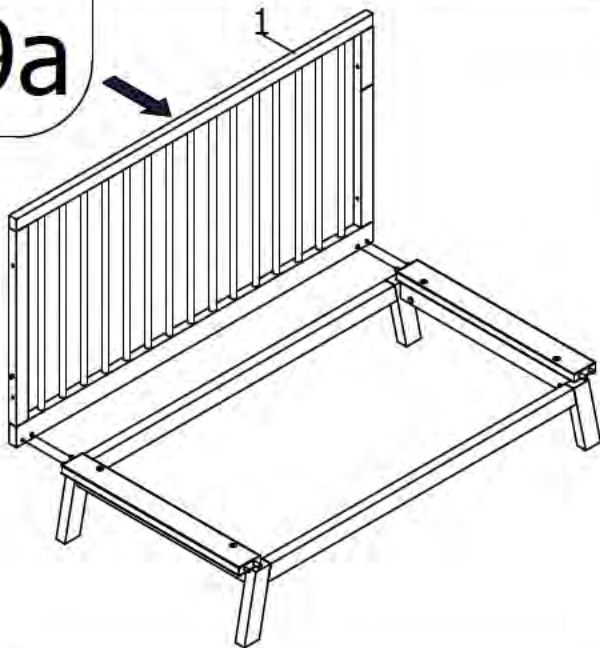
7a



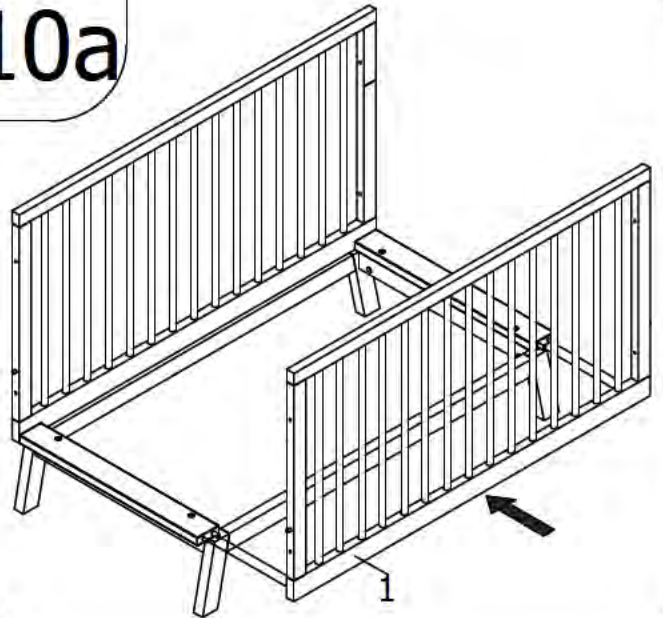
8a



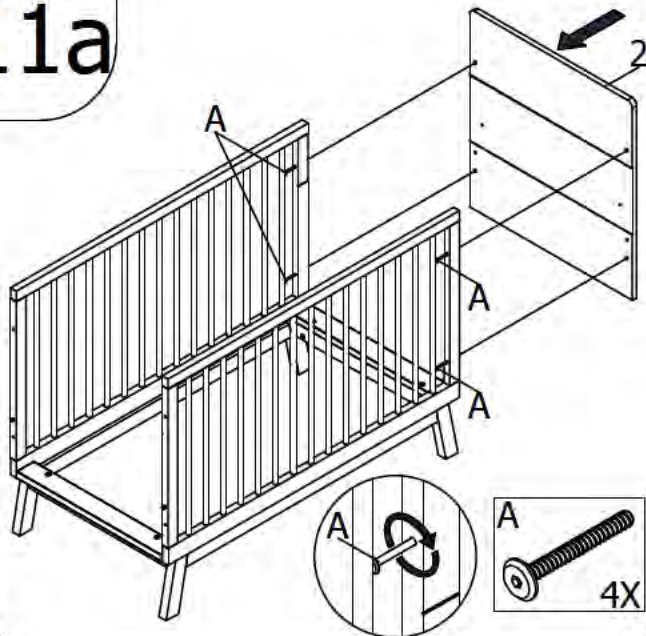
9a



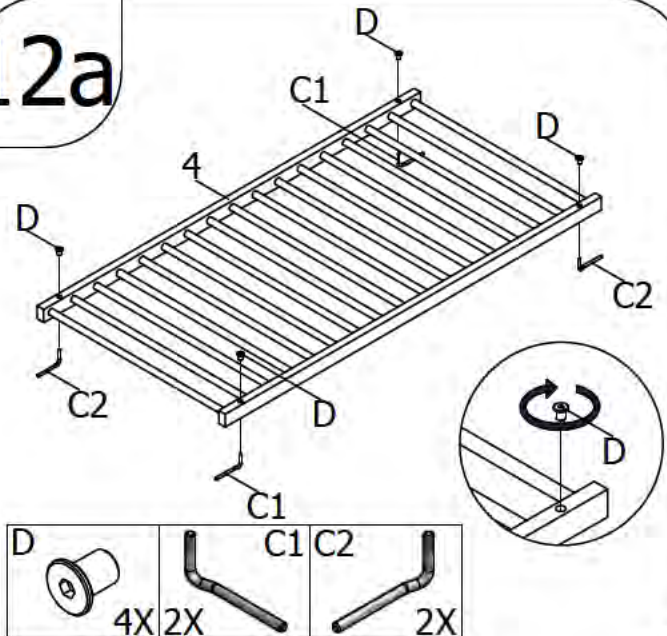
10a



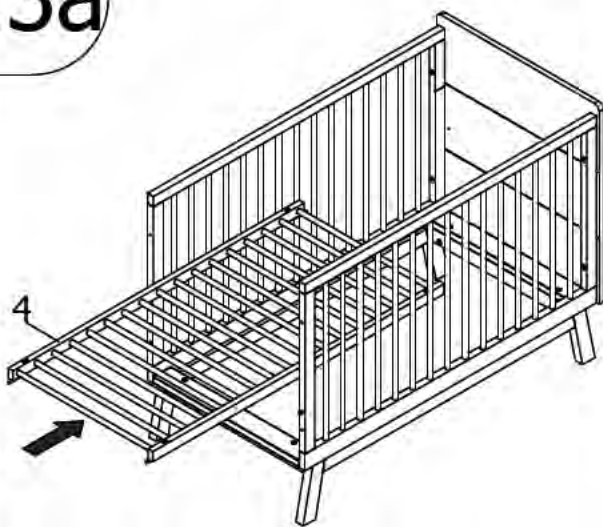
11a



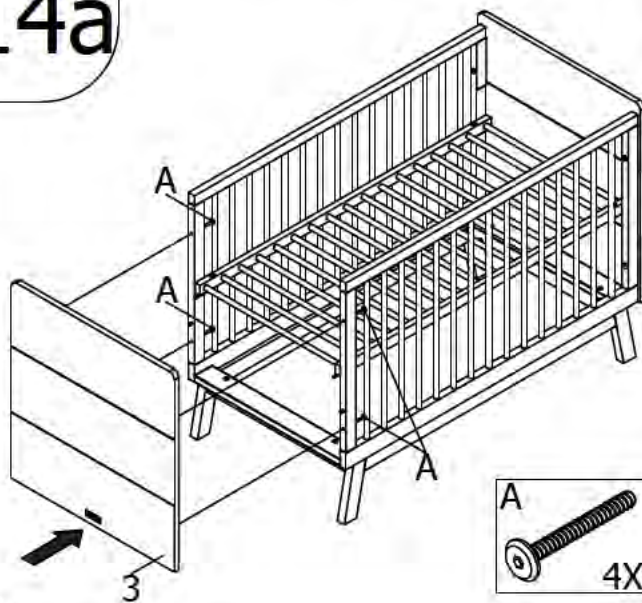
12a



13a

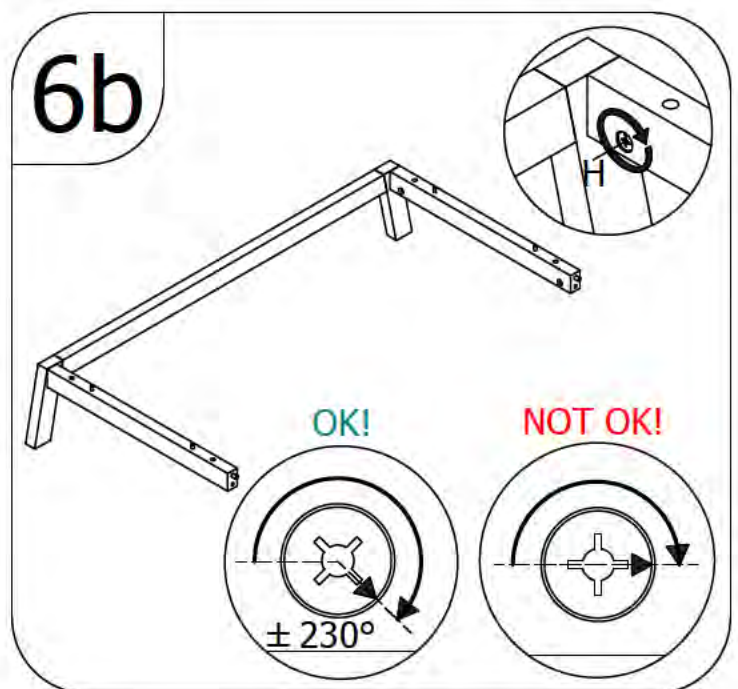
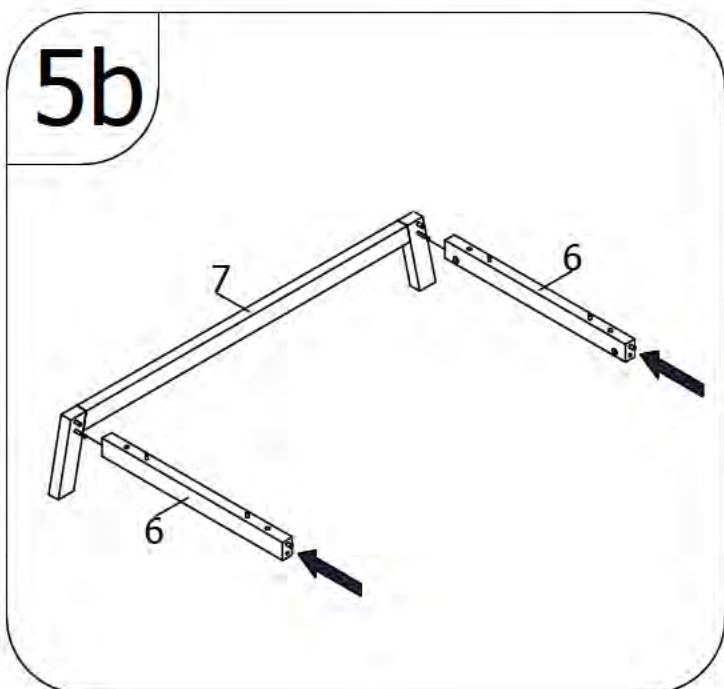
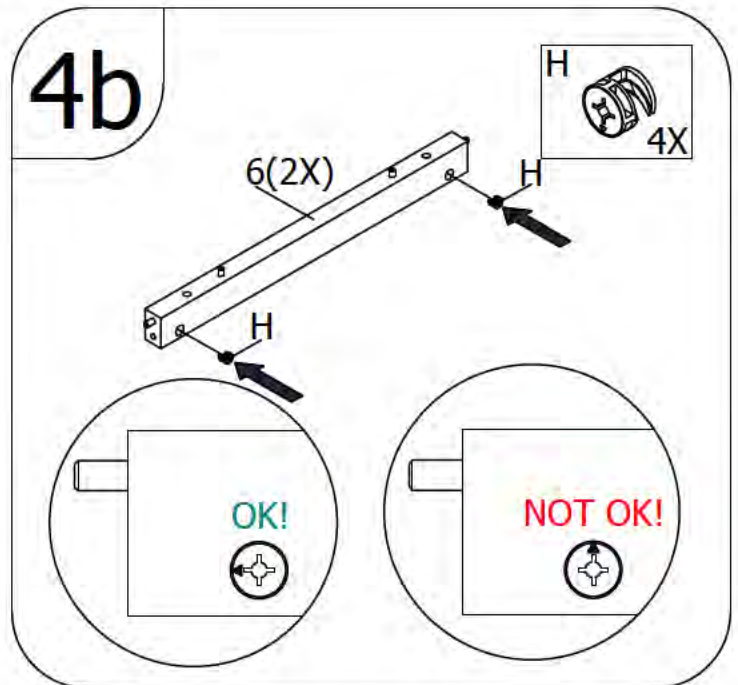
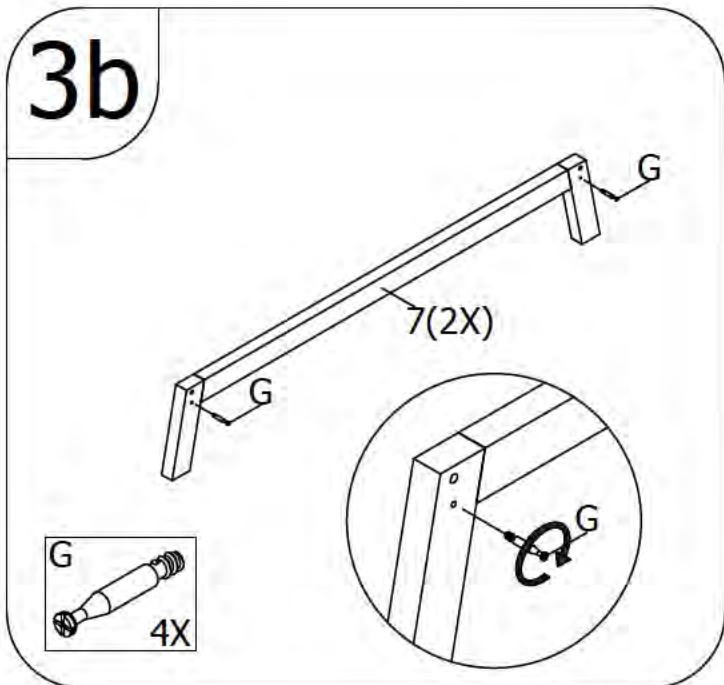
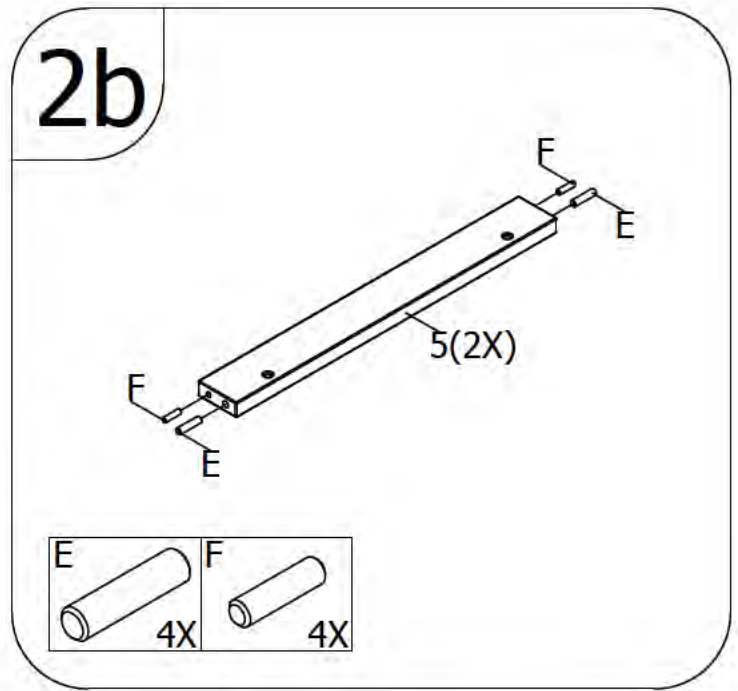
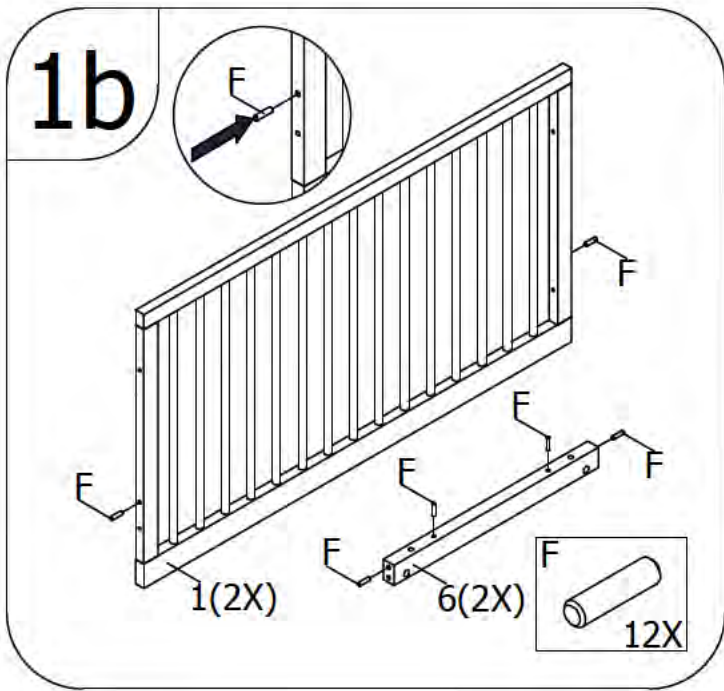


14a

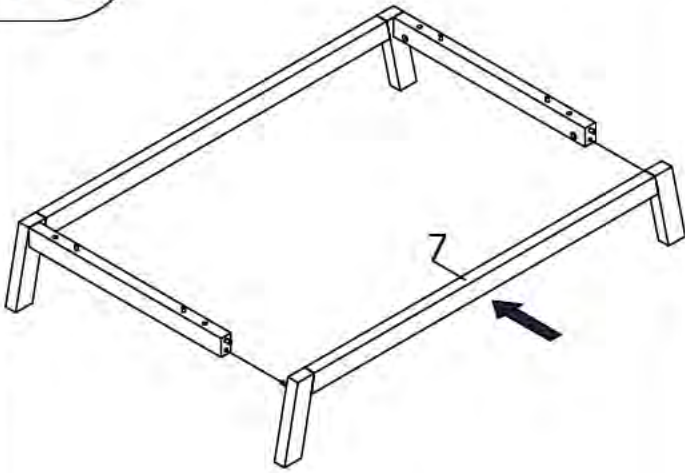


15a

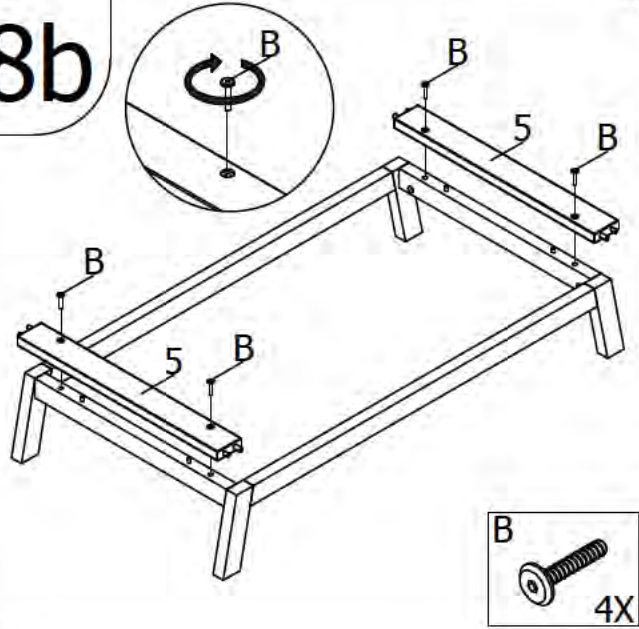




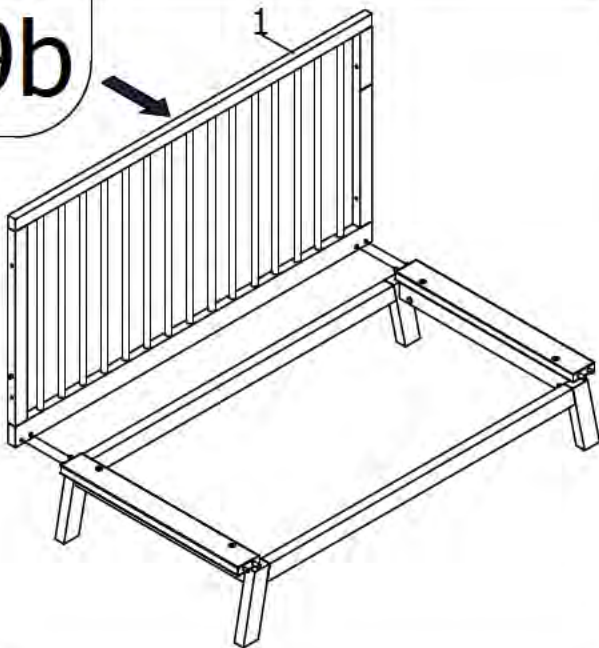
7b



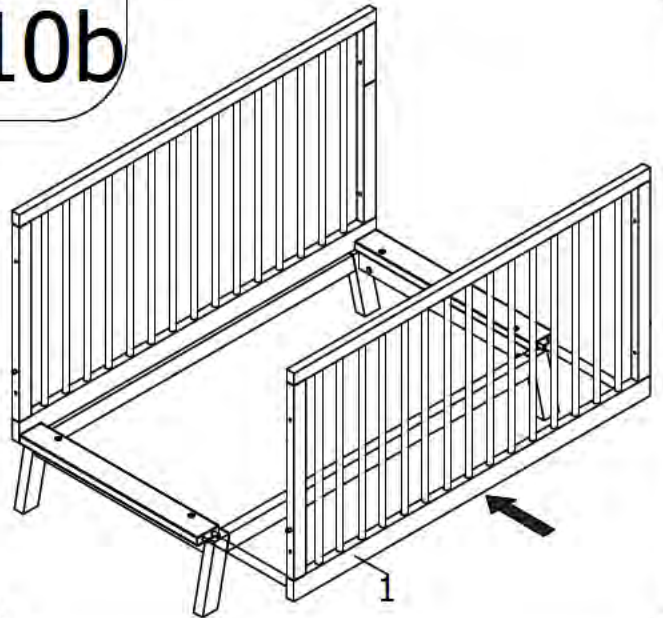
8b



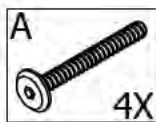
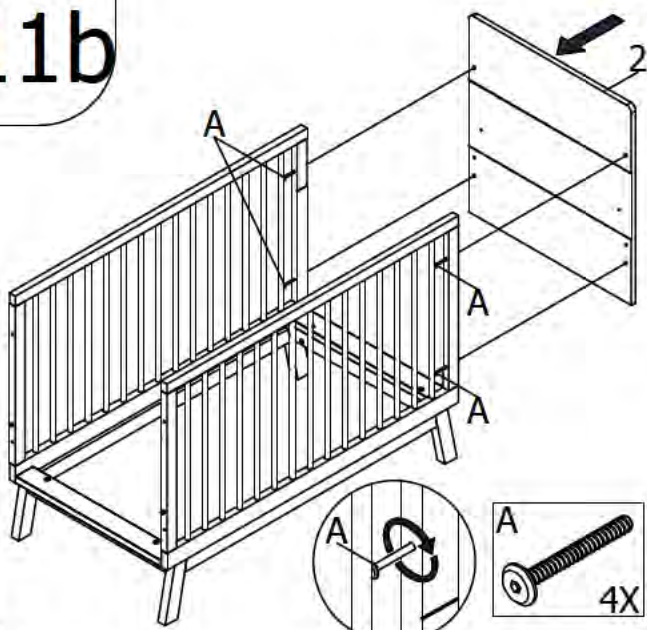
9b



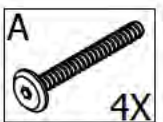
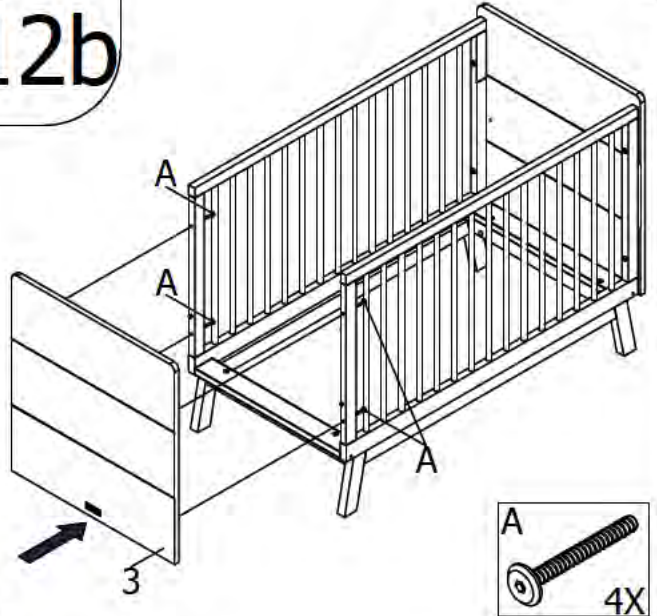
10b



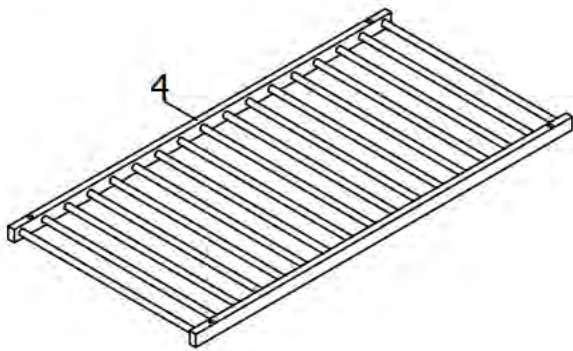
11b



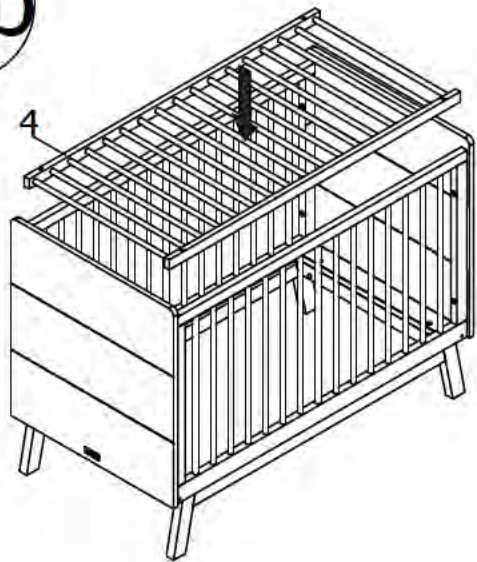
12b



13b



14b



15b

